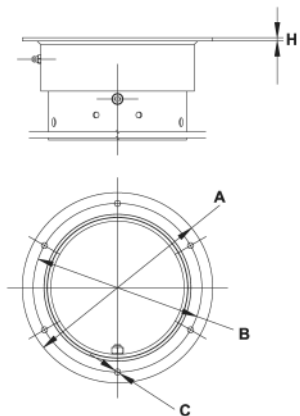
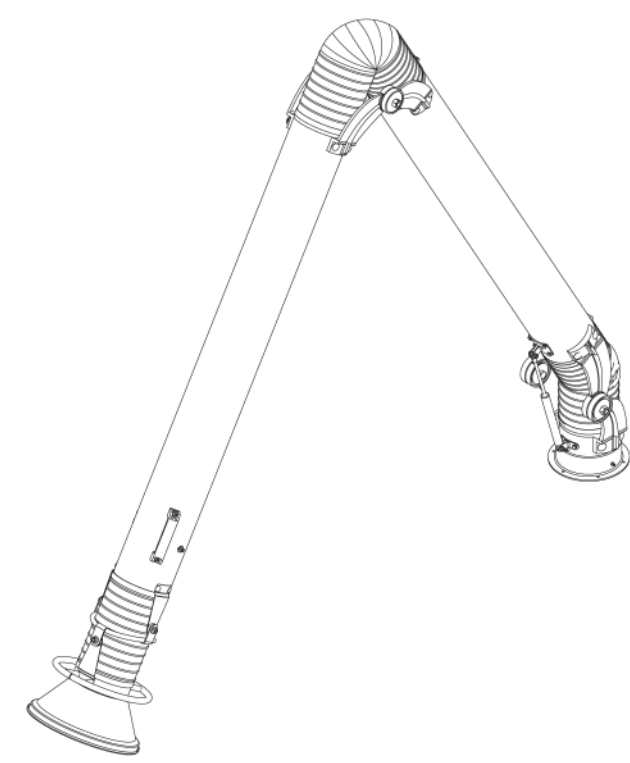
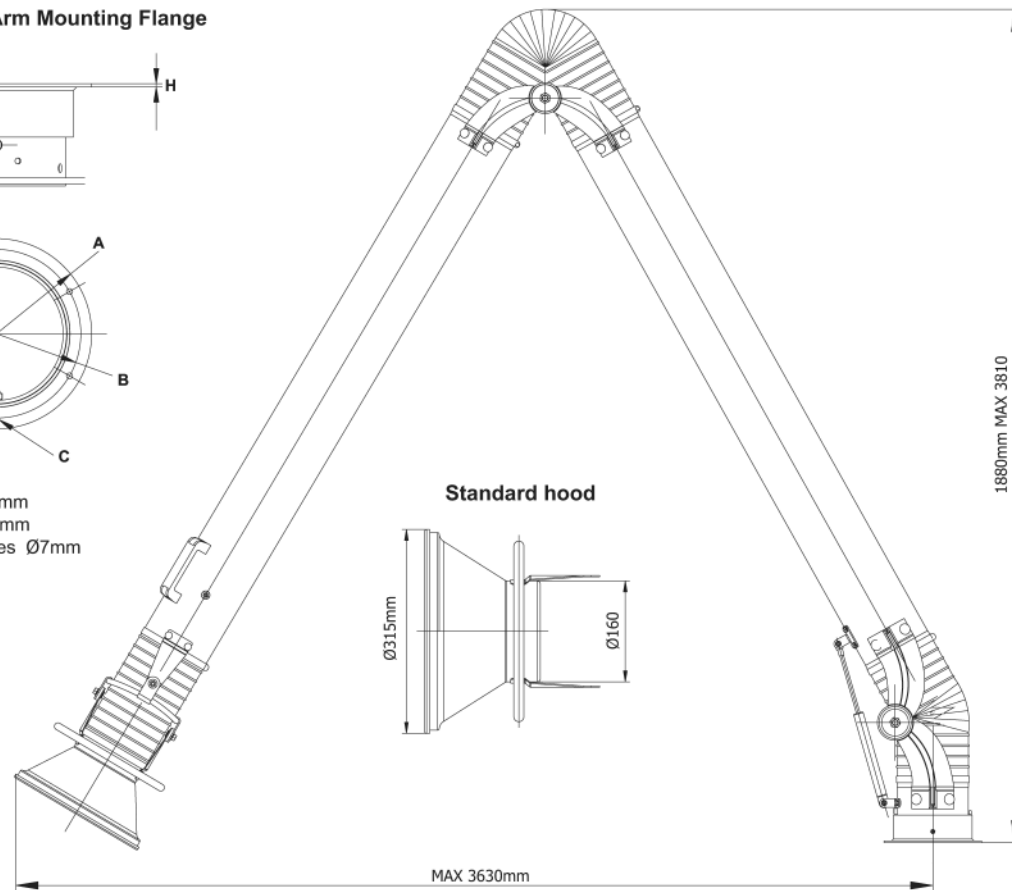


### Fume Arm Mounting Flange



H = 7mm  
 A = Ø220mm  
 B = Ø195mm  
 C = 6 holes Ø7mm



- Accessories and options:**
- P07-01-0002 - Mounting bracket WS-100
  - P07-01-0013 - Longer bracket Ø160
  - P02-80-0001 - MOD A light kit & photo sensor
  - P02-80-0002 - MOD L light kit with Switch

- Standard construction:**
- galvanized tubes powder coated color blue RAL5010
  - aluminum hood powder coated yellow RAL1028
  - external aluminum arm joint parts painted black
  - flexible PVC black hose rated (temperature resistance up to 80°C)
  - standard built-in manual damper
  - all external adjustments and supports
  - grab handle all around the hood

