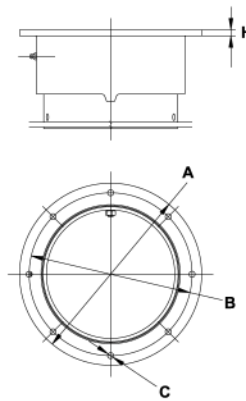
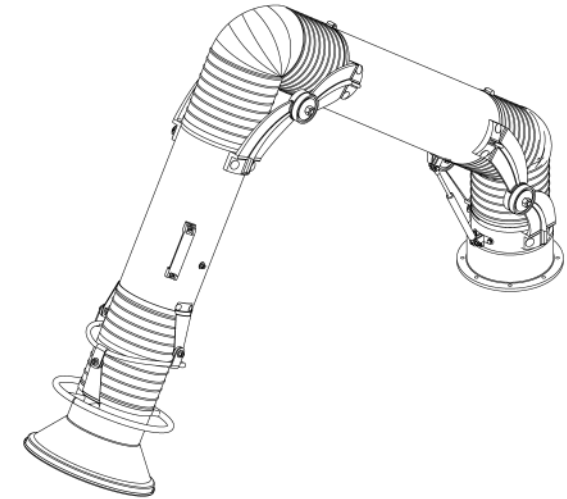


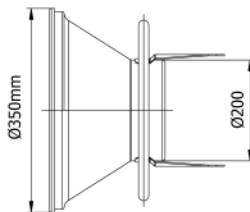
Fume Arm Mounting Flange



H = 9mm  
 A = Ø275mm  
 B = Ø246mm  
 C = 8 holes Ø9mm



Standard hood



Accessories and options:

- P07-01-0005 - Mounting bracket WS-200
- P02-80-0001 - MOD A light kit & photo sensor
- P02-80-0002 - MOD L light kit with Switch



Standard construction:

- galvanized tubes powder coated color blue RAL5010
- aluminum hood powder coated yellow RAL1028
- external aluminum arm joint parts painted black
- flexible PVC black hose rated (temperature resistance up to 80°C)
- standard built-in manual damper
- all external adjustments and supports
- grab handle all around the hood

