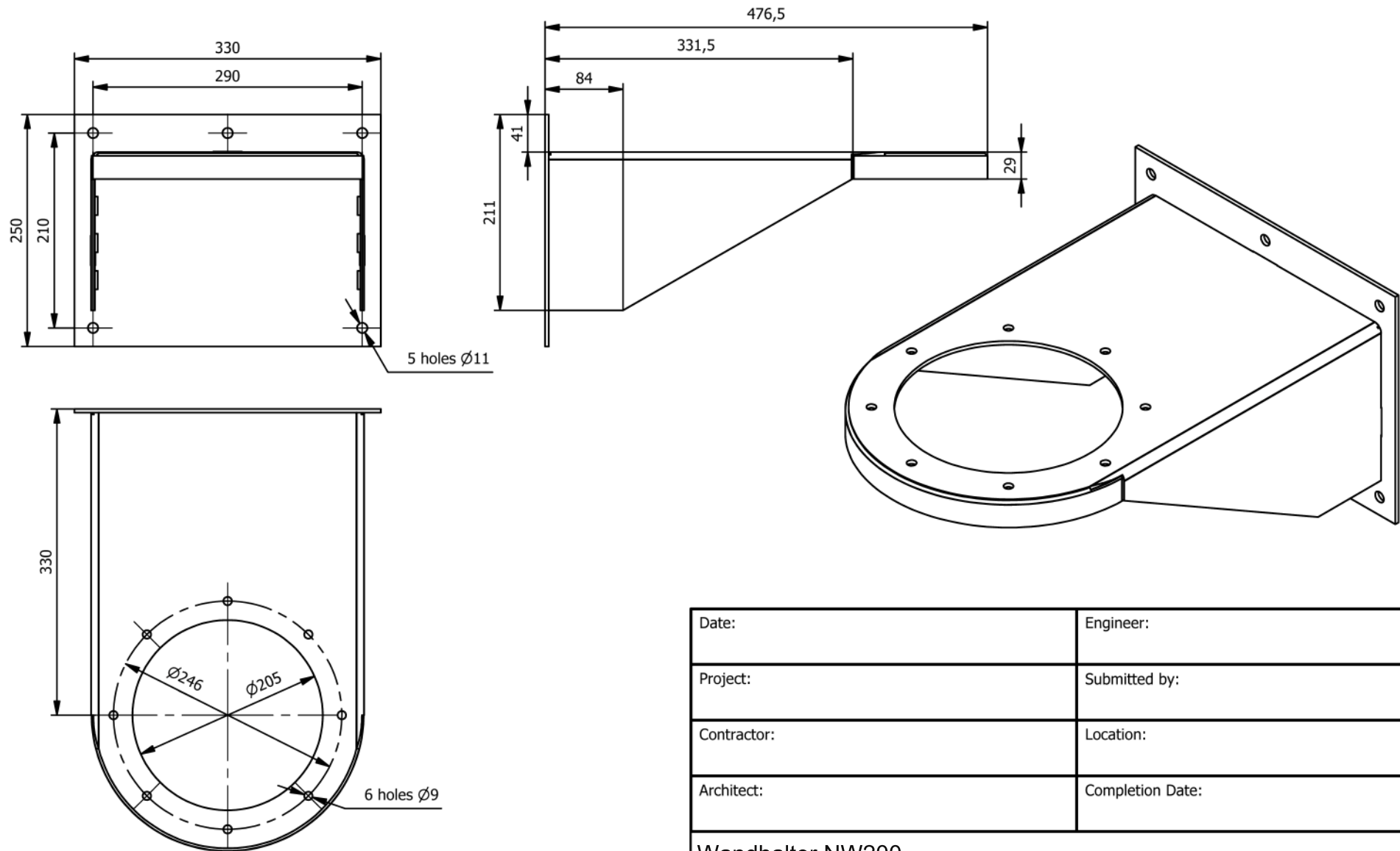


# WELAfix



|             |                  |
|-------------|------------------|
| Date:       | Engineer:        |
| Project:    | Submitted by:    |
| Contractor: | Location:        |
| Architect:  | Completion Date: |

Wandhalter NW200