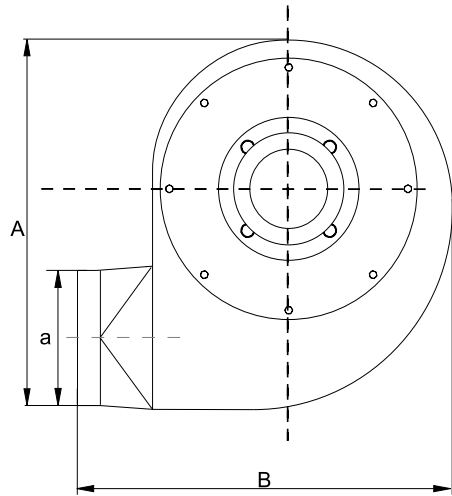
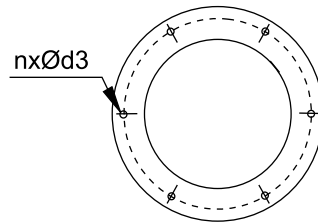
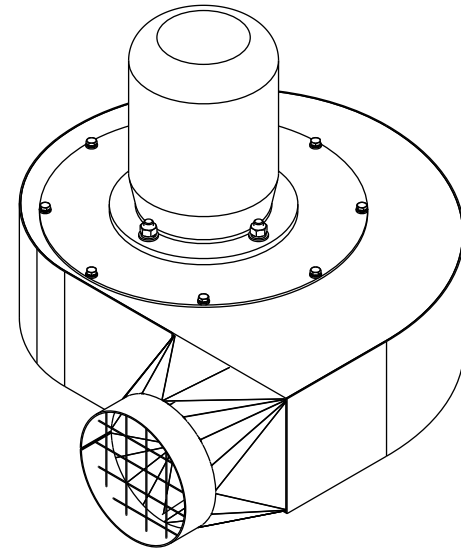
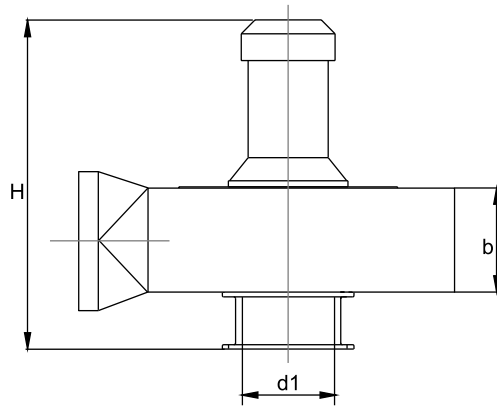


Product:	Fan unit - ZWR-03 0,75kW	
Index:	W0350ZWR03	302-15-0001

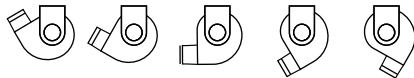


- A - 513,1
- B - 575,1
- H - 336
- a - 158
- b - 149
- d1 - 160
- d3 - 6x0,35

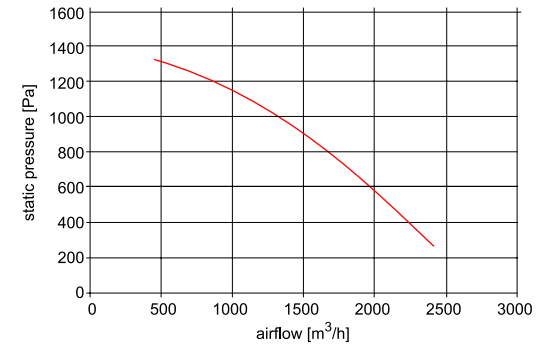


- Motor:**
- Power supply [V] / [Hz] - 3x400/50
 - Power [kW] - 0,75
 - Rotation [rpm] - 2780
 - Insulation class - F
 - Protection - Ip55

with WS160 wall mounting brackets



with WS160D wall mounting brackets



- Accessories and options:**
- P07-01-0004 - Mounting bracket Ø160
 - 100 042 - Motor on/off switch with thermal overload protection 1,6-2,5A
 - 230 016 - Set of transport wheels ZWR

- ZWR fan units :**
- backward inclined blade aluminum fan wheels
 - smooth fan and impeller inlets
 - powder coated welded steel housing
 - direct gas mixture temperatures up to 40°C